

# MeylandDiscover®



## Movement and Play

The pattern of movement of small children develops gradually and learning to crawl is a natural stage in this process.

Children learn and perceive their surroundings through the body and its senses. The physical activity of the child helps to make it secure in its own body and therefore it is important that the child is helped and motivated to start crawling.

## Independence

The child is helped into meylan*Discover* and placed with the sling support under the chest/stomach.

Meylan*Discover* arouses the child to start crawling and strengthens the musculature of the arms and legs. This is a help to the child in several situations and furthermore it helps to promote the development of the child's motoric skills, which will strengthen the communication, social interaction, play and learning.

## Curiosity

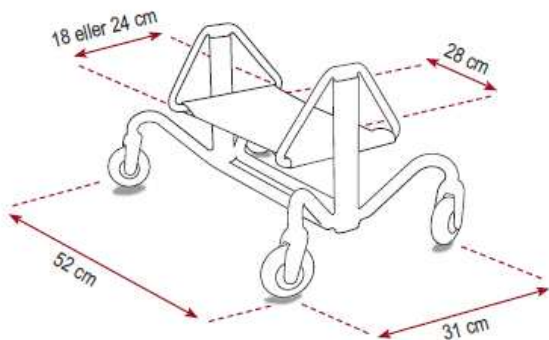
With its simplicity of design and fascinating colour meylan*Discover* is an appealing aid that rouses the curiosity of the child and motivates it to crawl and develop.

**meyland-smith**  
mobility and more

# MeylandDiscover®

## Simple to position

The height of meylan*D*iscover can easily be adjusted to fit each child individually. The sling support for meylan*D*iscover is available in two sizes.



<b>Tekniske data</b>	<b>1</b>	<b>2</b>
Depth of the sling support	18 cm	24 cm
Height of the sling support	15-25 cm	15-25 cm
Wide of the sling support	28 cm	28 cm
Wide of the Discover	52 cm	52 cm
Depth of the Discover	31 cm	31 cm
Weight	4 kg	4 kg
Maximum load	18 kg	24 kg



The meylan*D*iscoveren is made from steel tubes. It has four revolving rubber wheels and is available in the colour red metallic.

**meyland-smith**  
mobility and more

Meyland-Smith A/S - Industrivej 27 - DK-9830 Tårs

+45 98 96 19 85 - Fax.: +45 98 96 19 86

[www.meyland-smith.dk](http://www.meyland-smith.dk)

E-mail: [info@meyland-smith.dk](mailto:info@meyland-smith.dk)